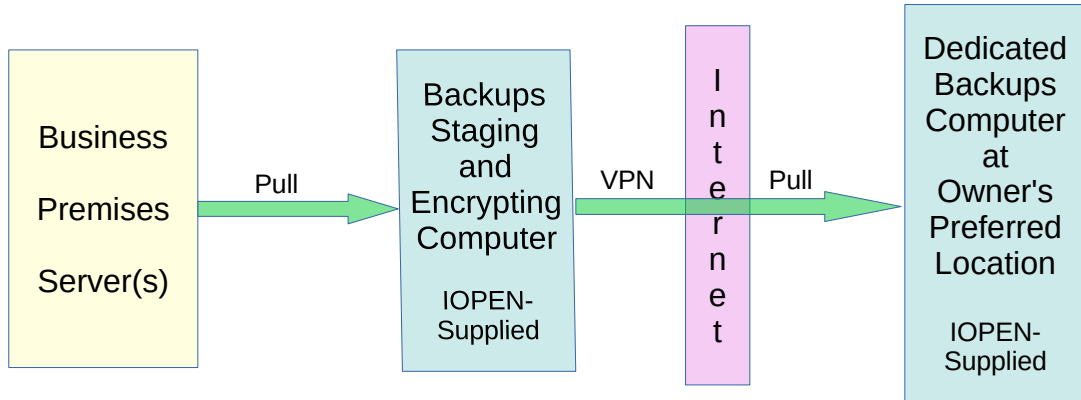




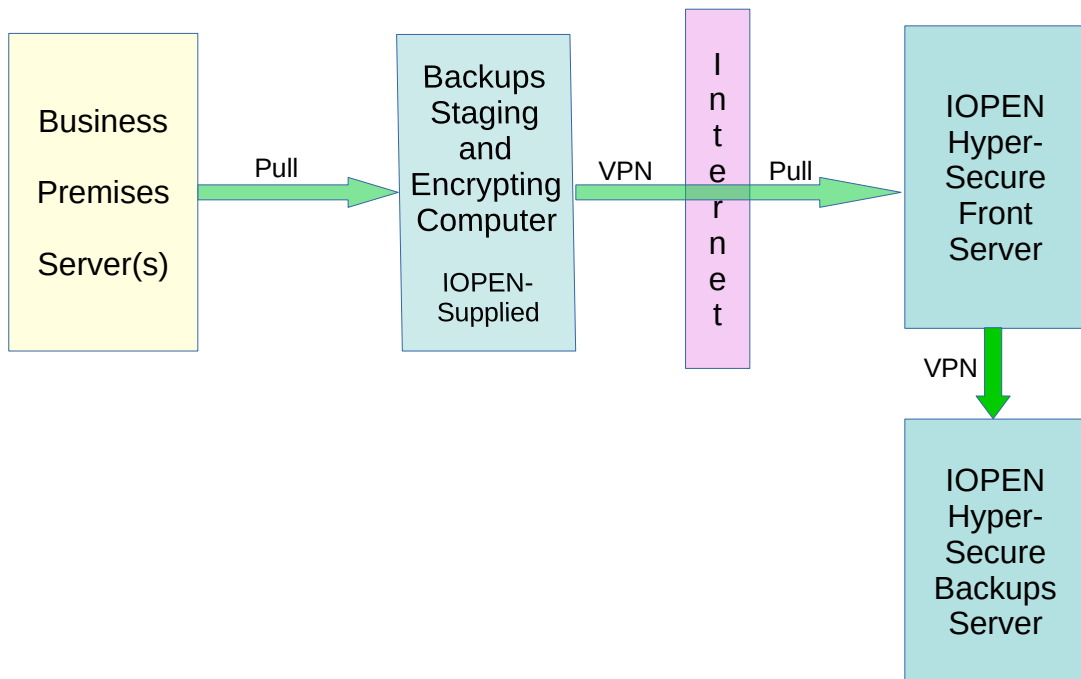
Encrypted Off-Site Back-Ups Options

2021-11-01

In-House



Hosted-Service



Security of Backed-Up Data

All IOPEN and IOPEN-supplied computers are Hyper-Secure.

No Microsoft software is involved so they are naturally-immune to Windows malware.